

BAG 1



4x



1x
Medium grey



1x
Medium grey



1x
White

1



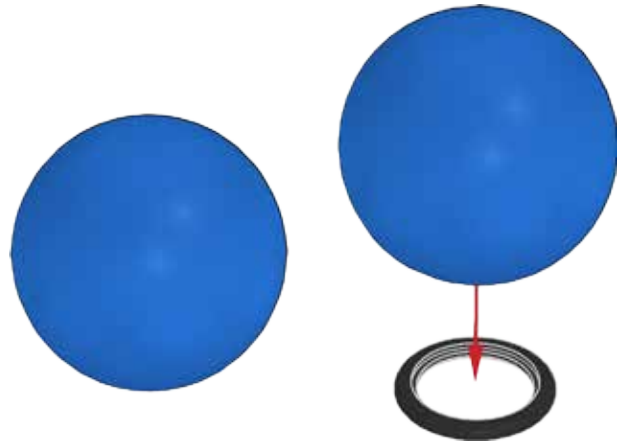
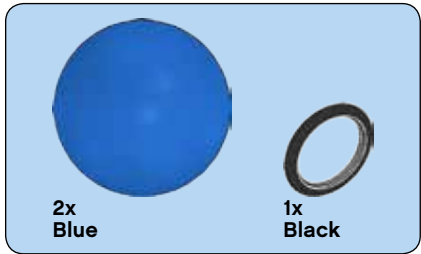
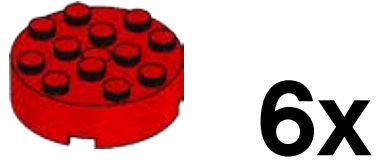
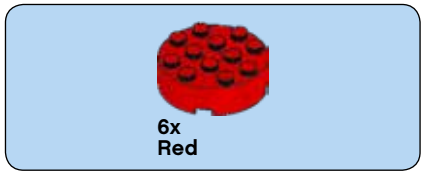
2

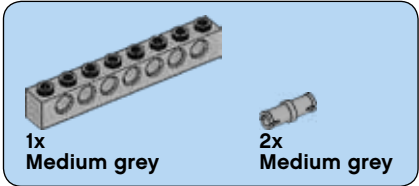
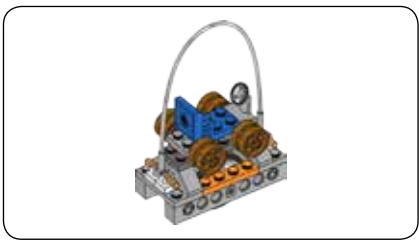


3

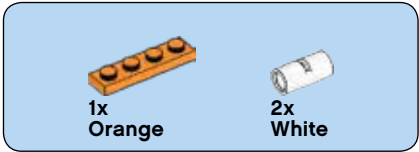


4x

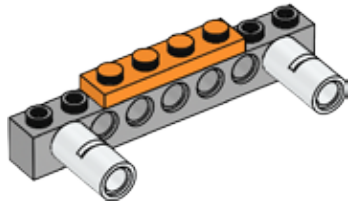




1



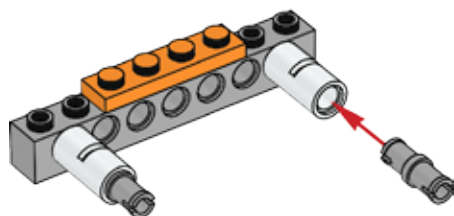
2

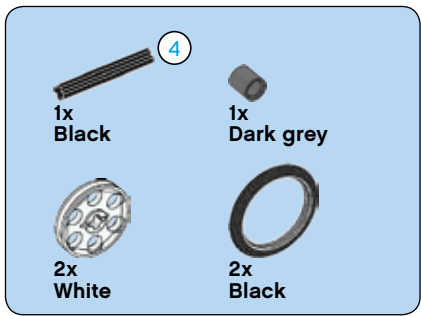




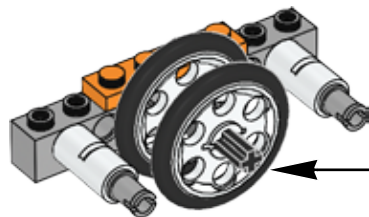
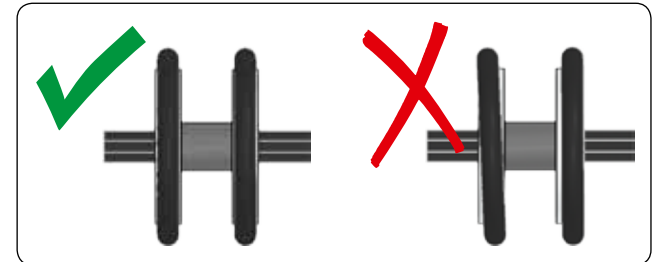
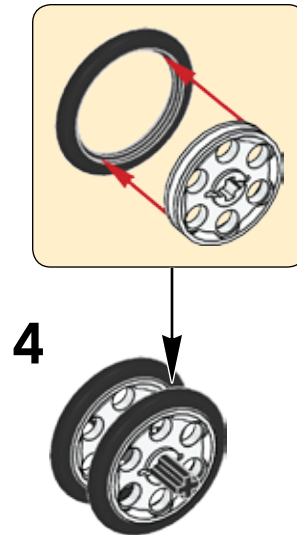
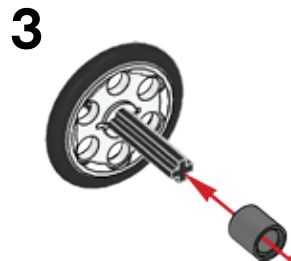
2x
Medium grey

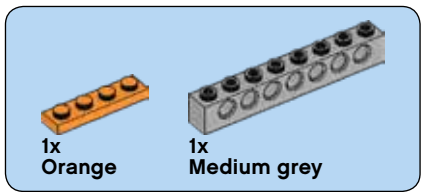
3



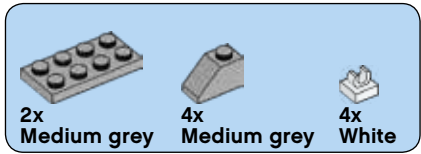
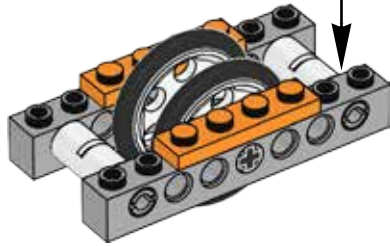
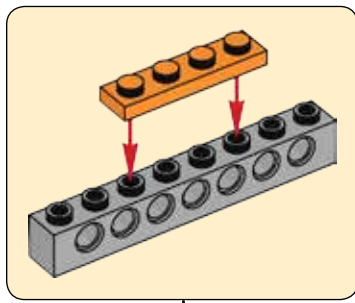


4

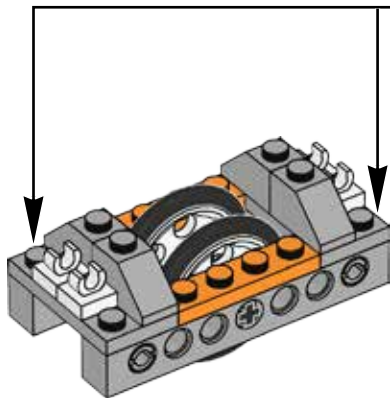
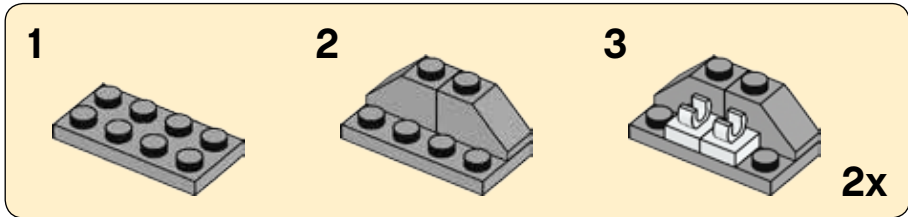


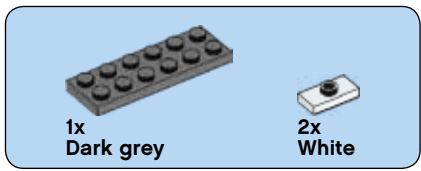


5

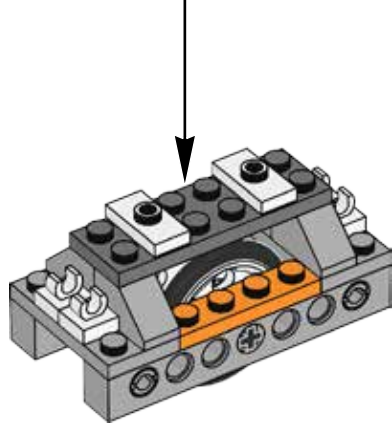
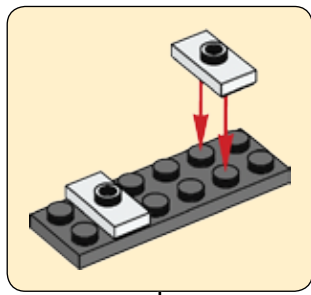


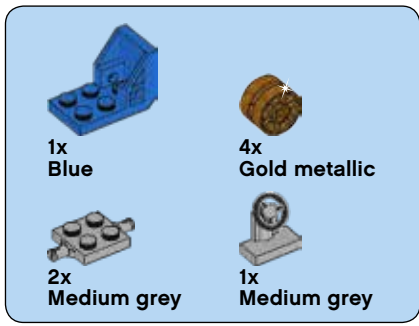
6



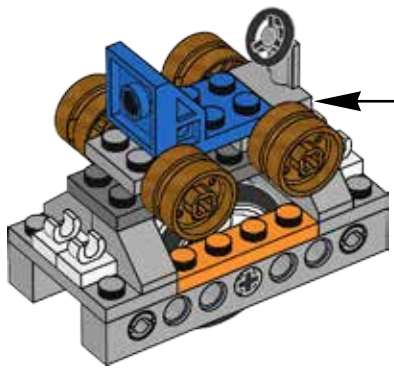
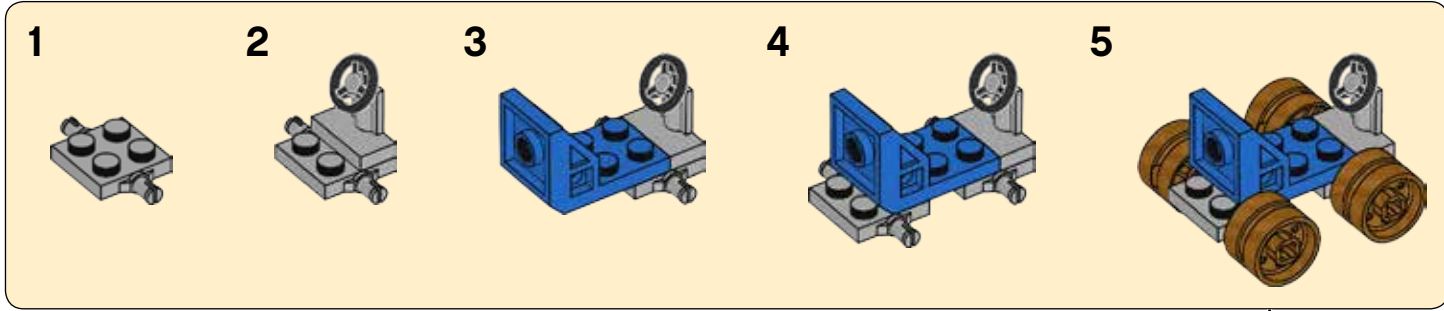


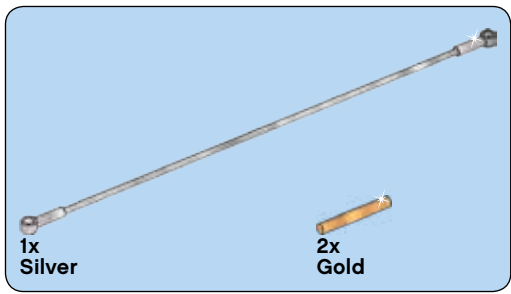
7



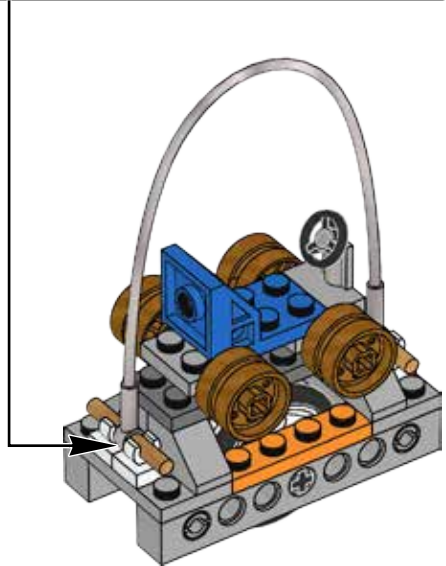
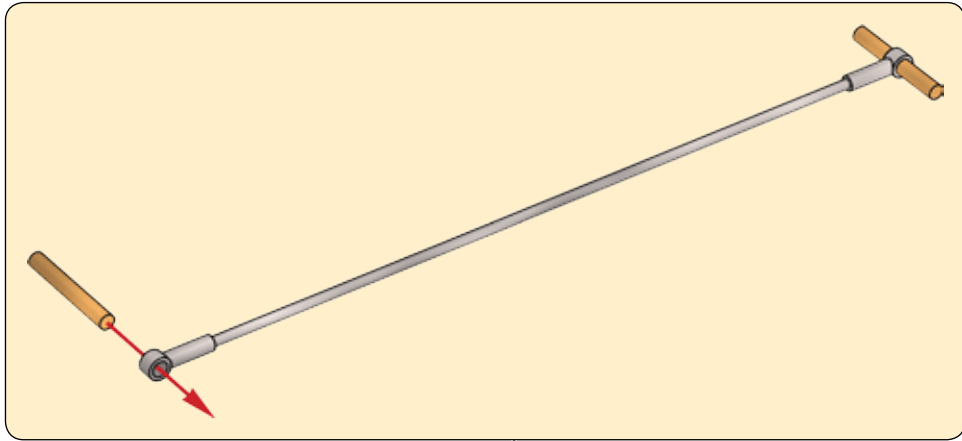


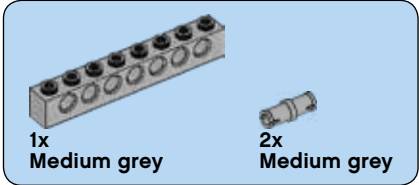
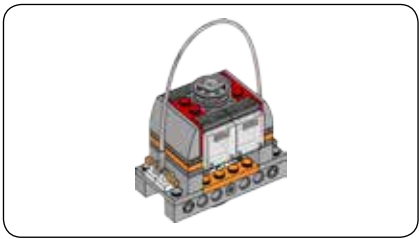
8





9

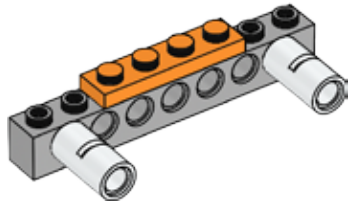




1

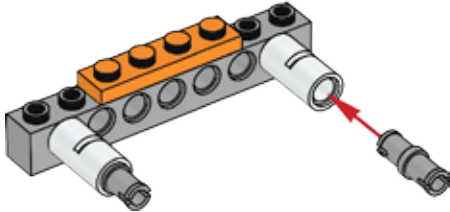


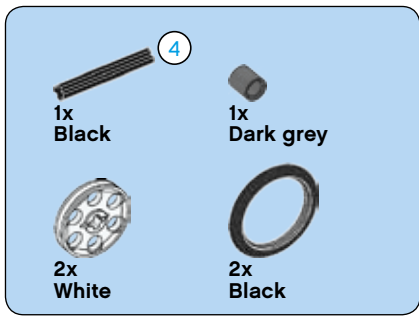
2



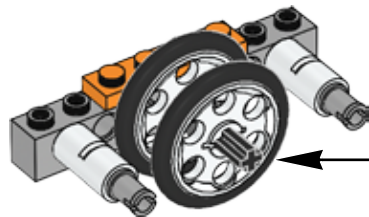
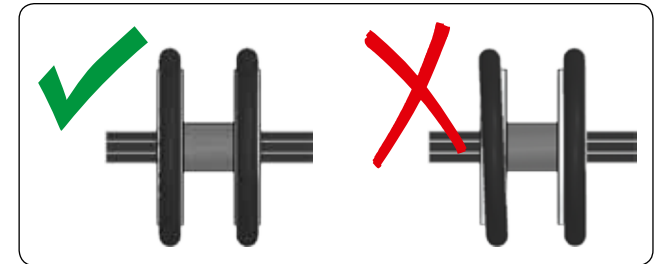
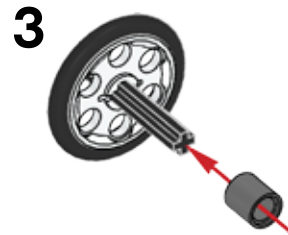
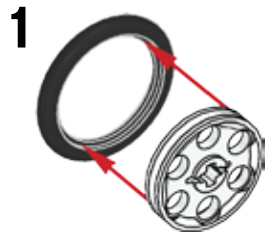
2x
Medium grey

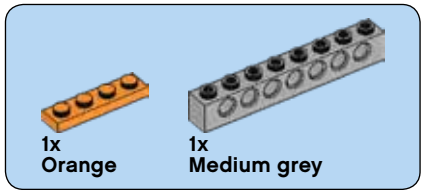
3



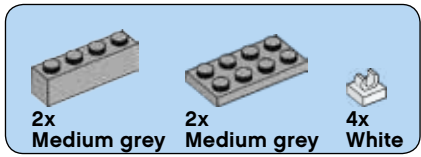
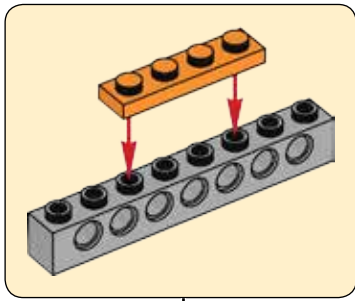


4

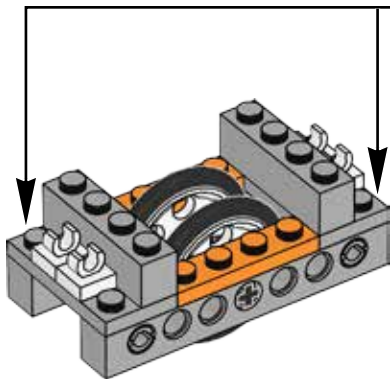
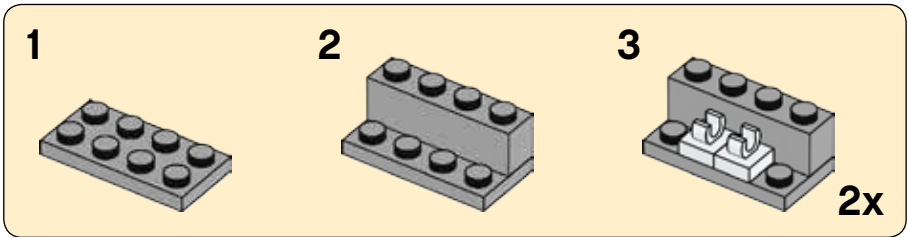




5

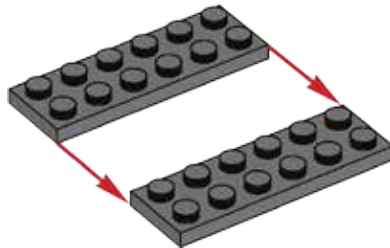


6





7

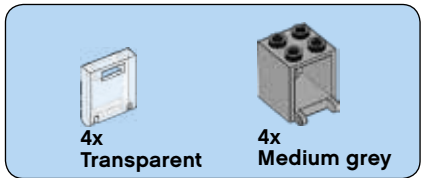
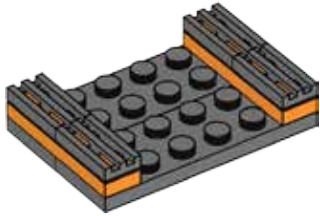


8

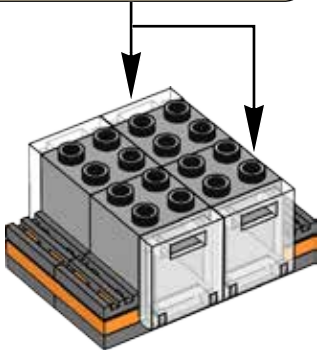
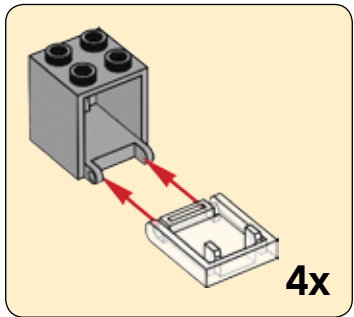


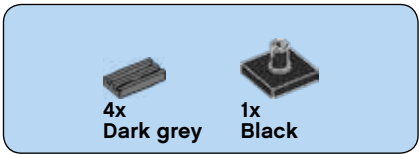


9

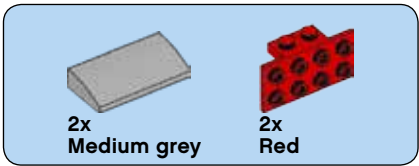
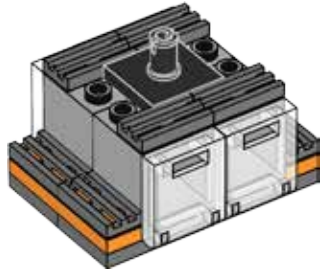


10

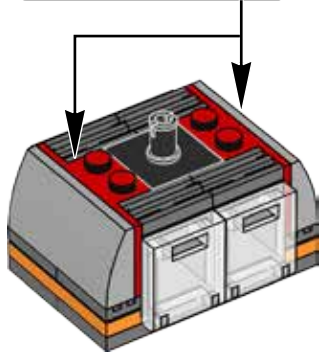
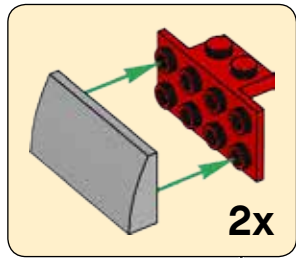




11



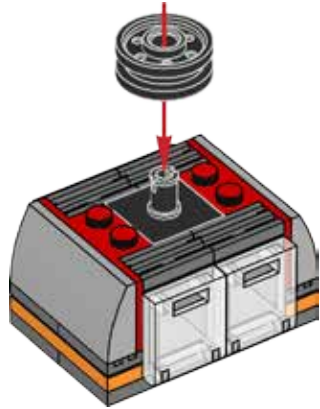
12



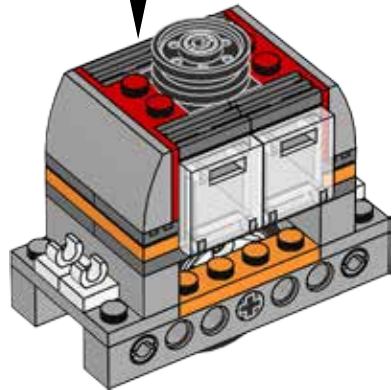


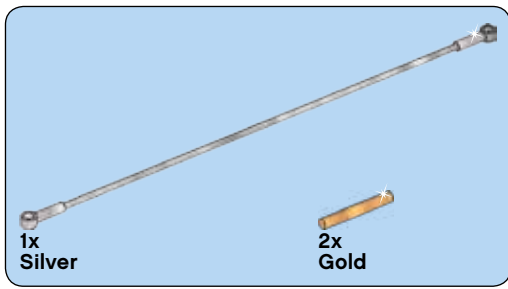
1x
Black

13

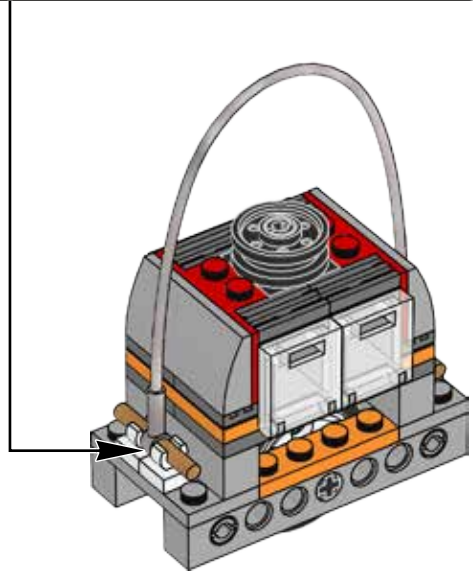
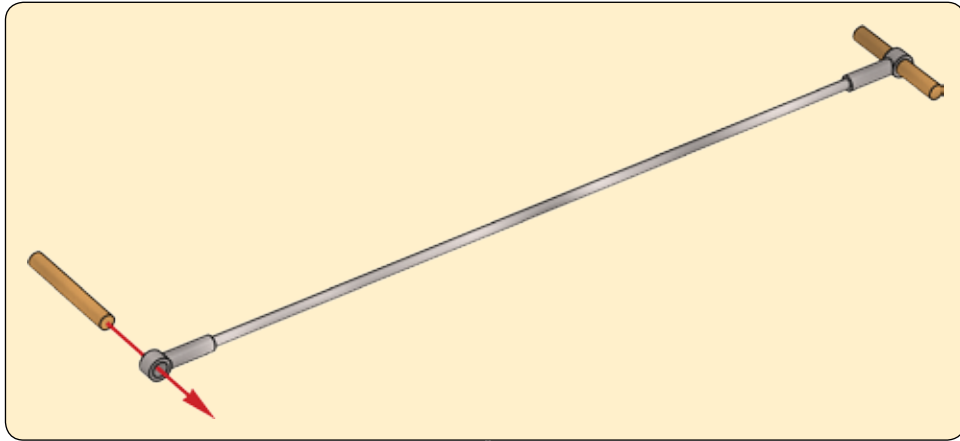


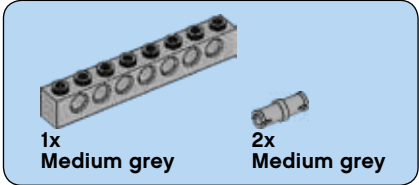
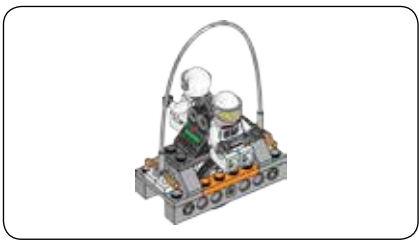
14





15

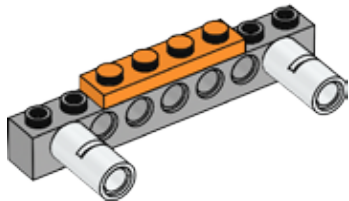




1



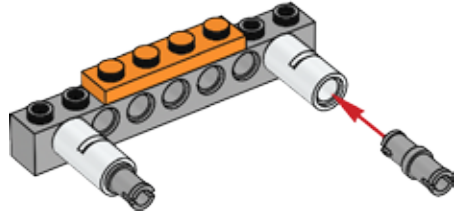
2

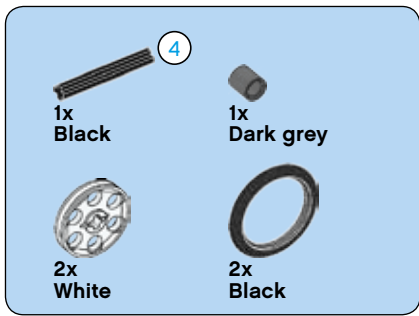




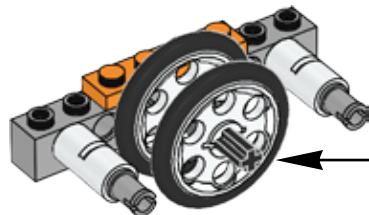
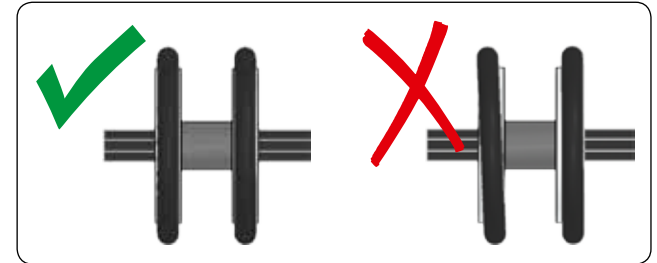
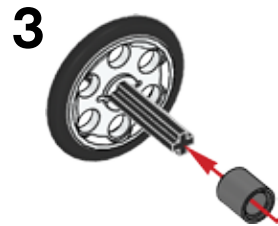
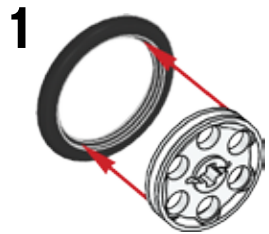
2x
Medium grey

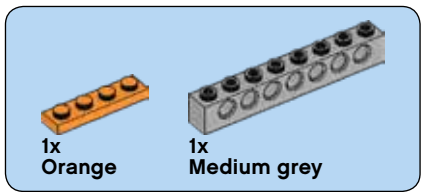
3



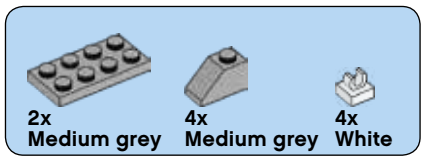
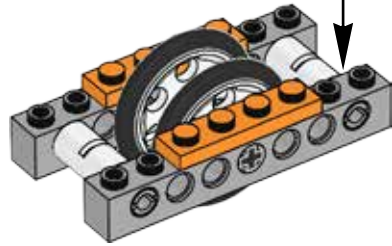
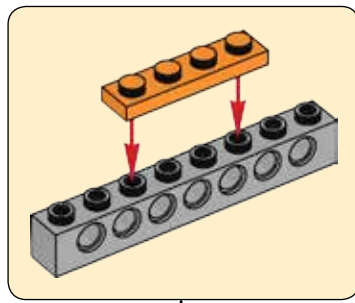


4

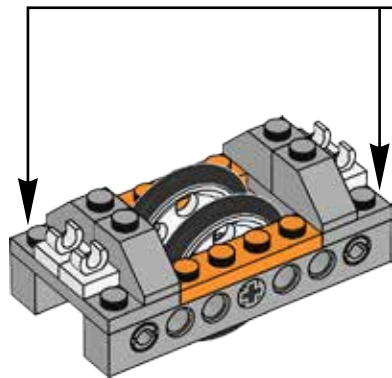
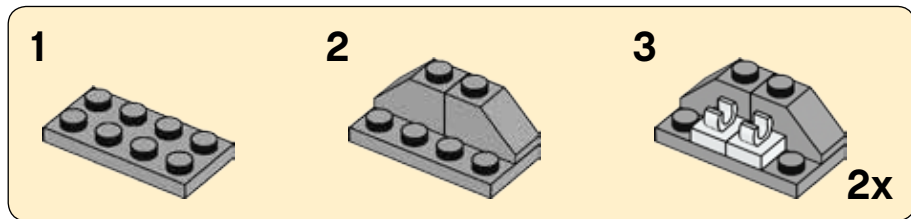


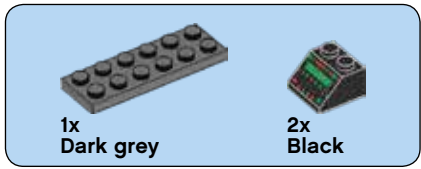


5

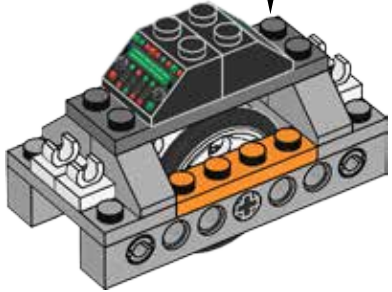
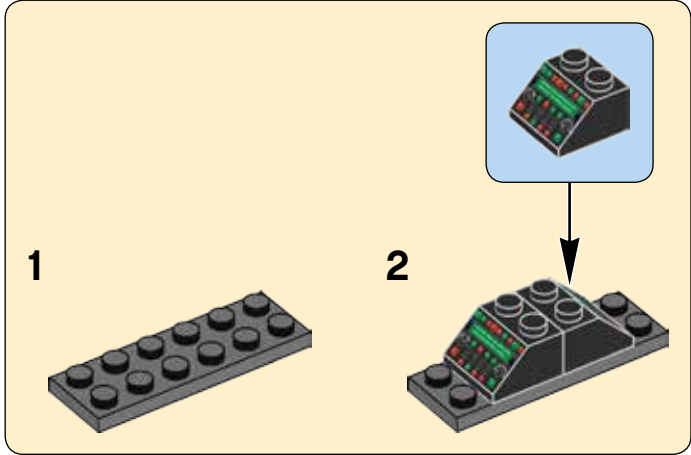


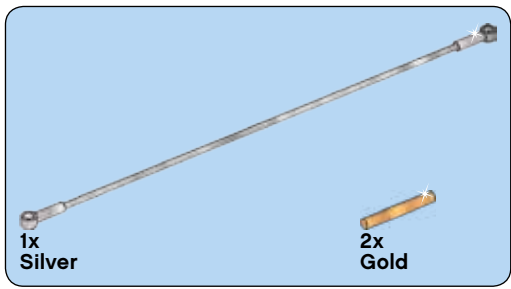
6



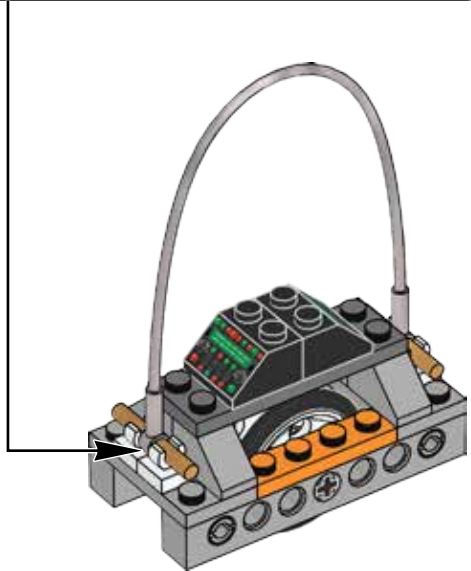
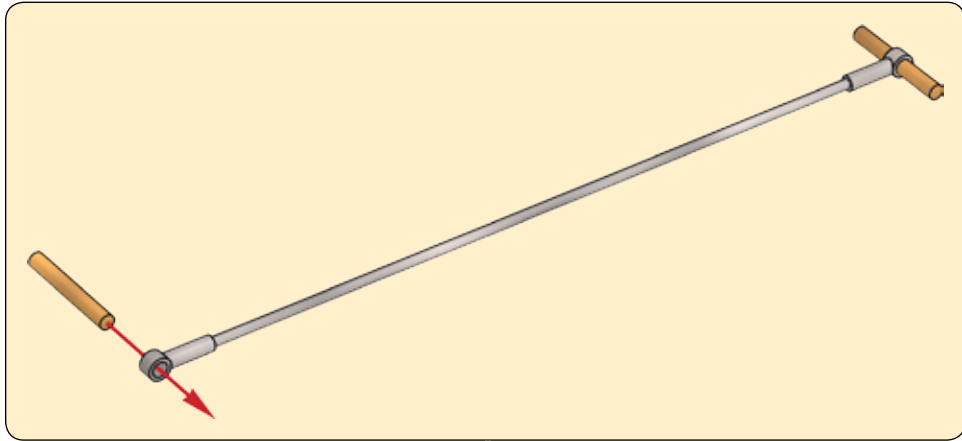


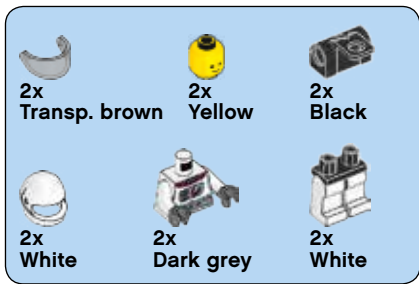
7



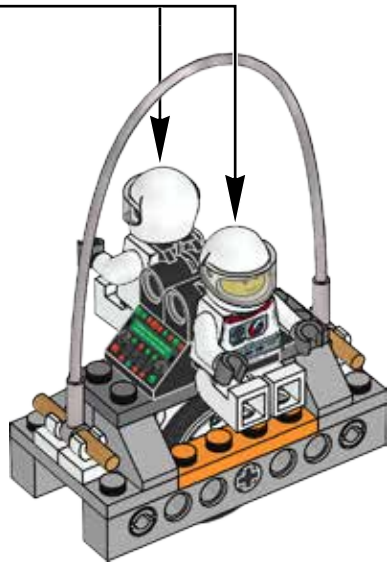
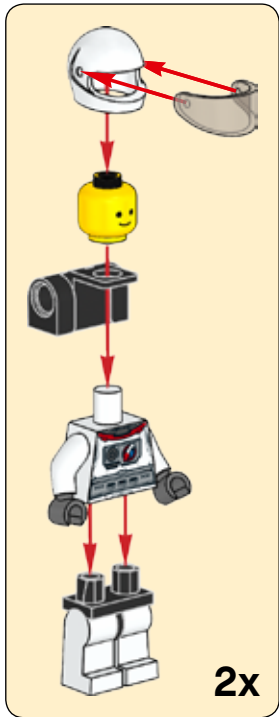


8





9



BAG 1

LEGO and the LEGO logo are trademarks of the/son des marques de commerce du/son marcas registradas de LEGO Group. ©2018 The LEGO Group.

FIRST® is a registered trademark of For Inspiration and Recognition of Science and Technology (FIRST). LEGO® is a registered trademark of the LEGO Group. FIRST® LEGO® League and INTO ORBIT™ are jointly held trademarks of FIRST® and the LEGO Group.

©2018 FIRST® and the LEGO Group. All rights reserved.