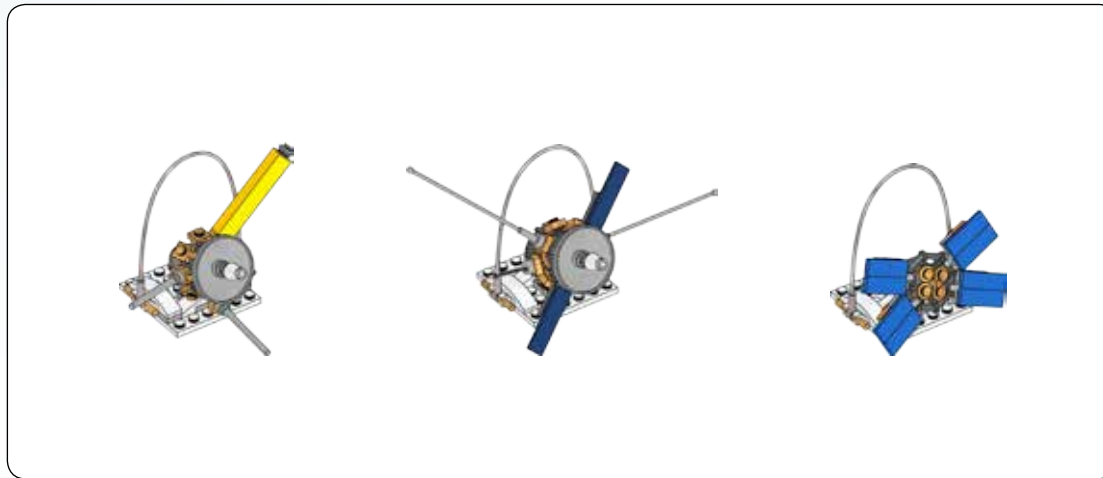
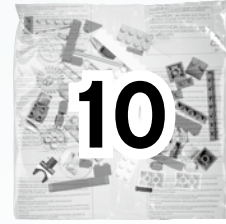
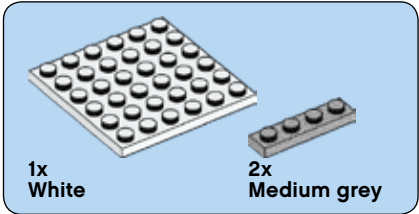
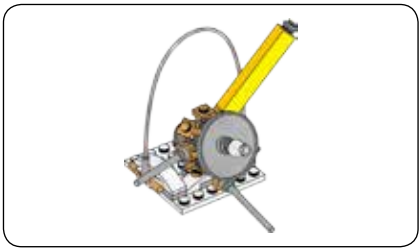


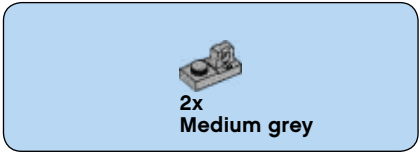
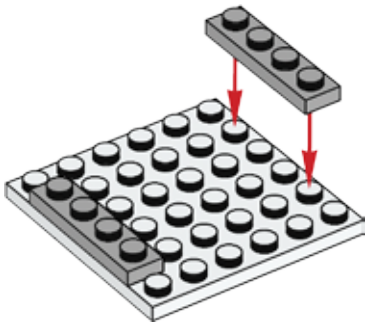


+ 1x

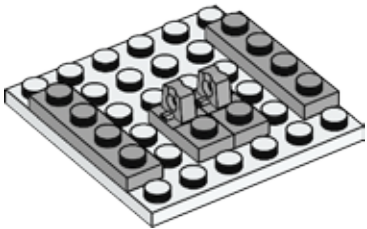


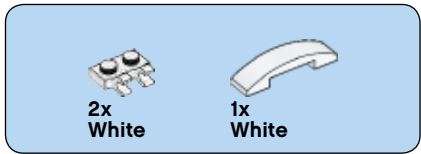


1

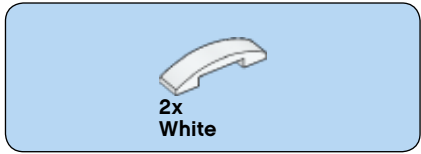
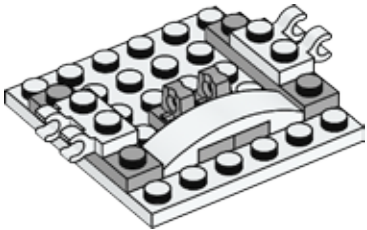


2

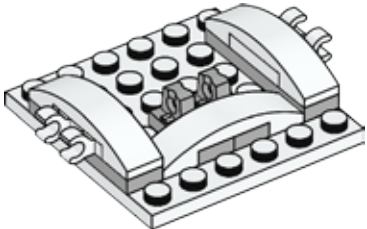


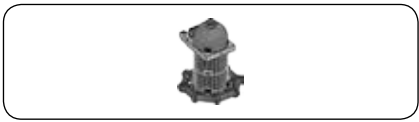


3

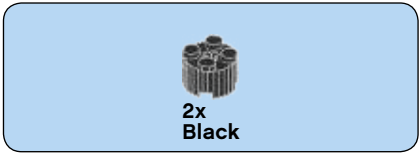


4

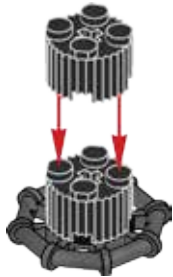




5

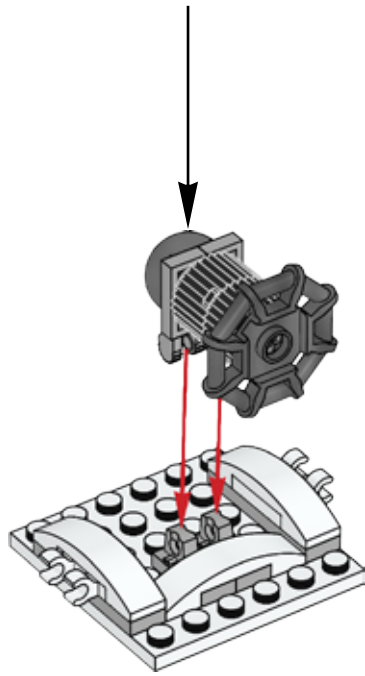


6

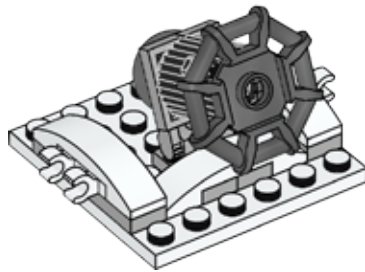




9

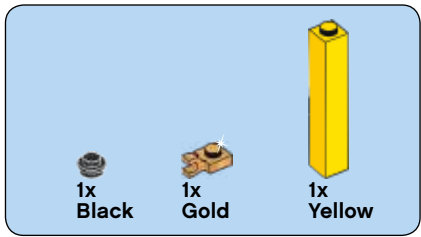
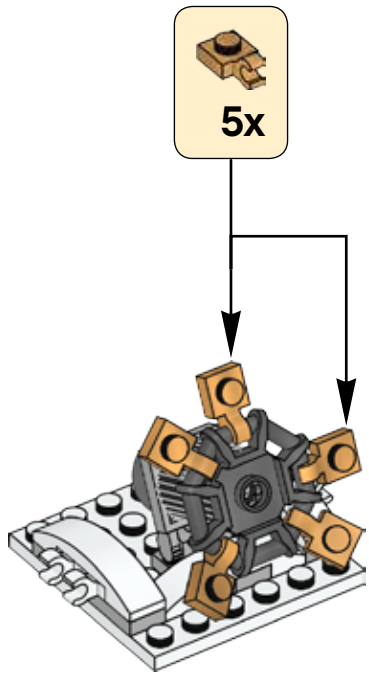


10

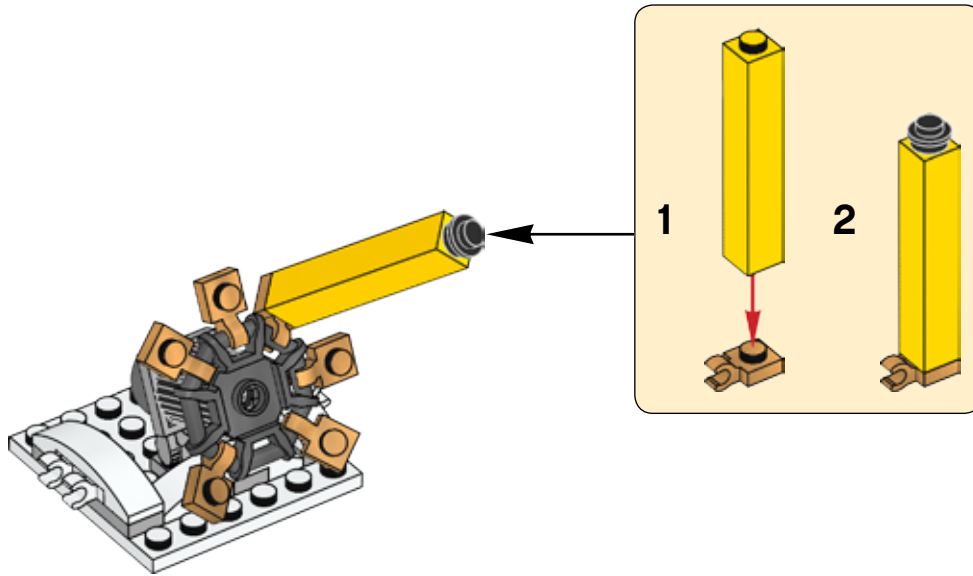


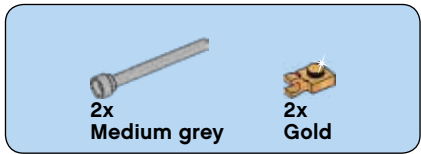


11

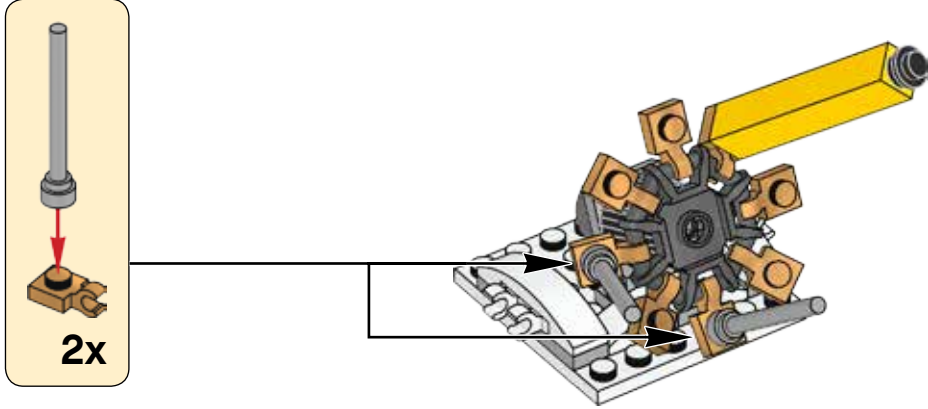


12

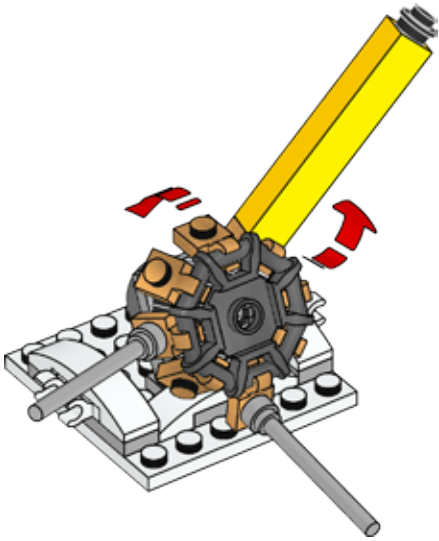




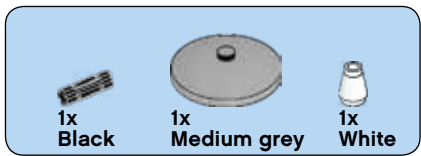
13



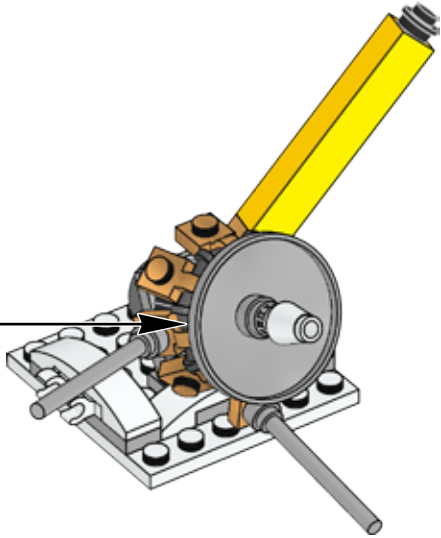
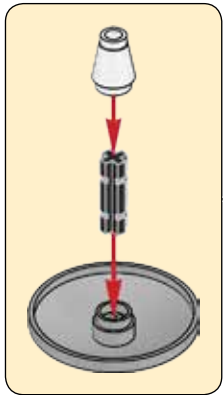
14

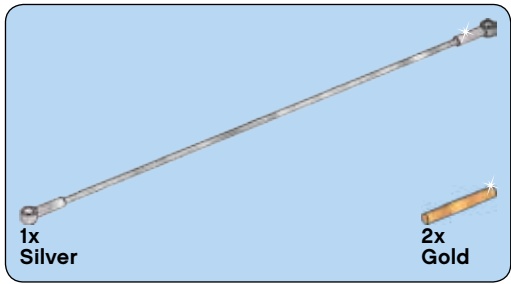




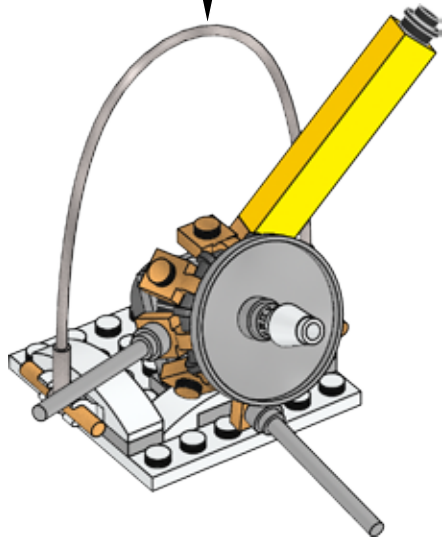
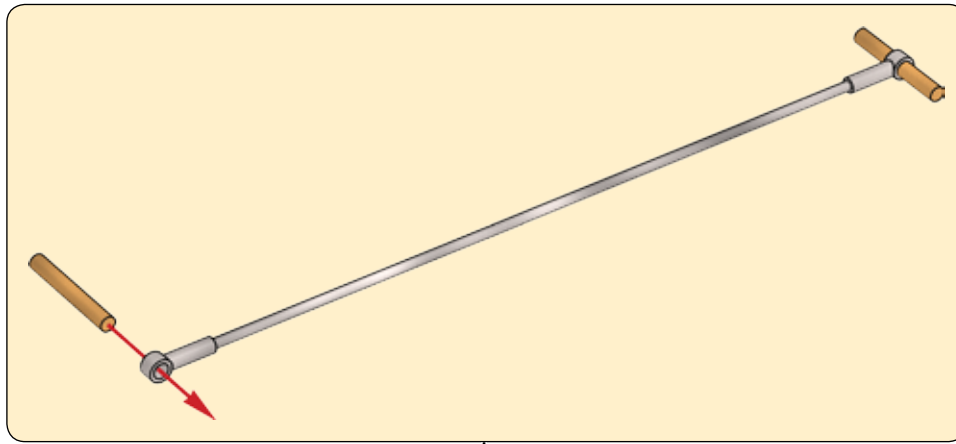


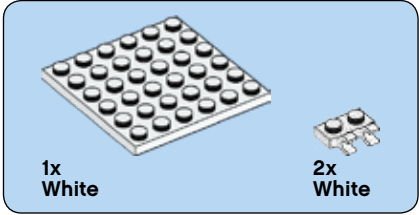
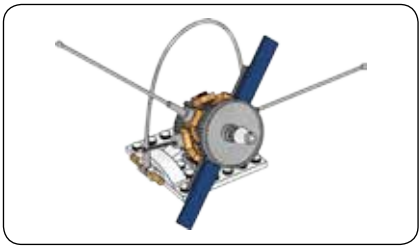
15



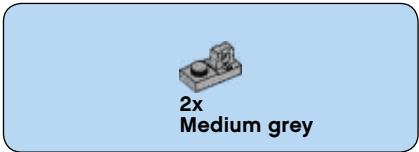
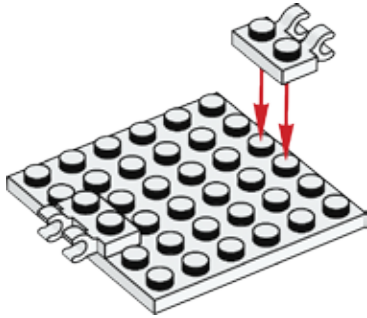


16

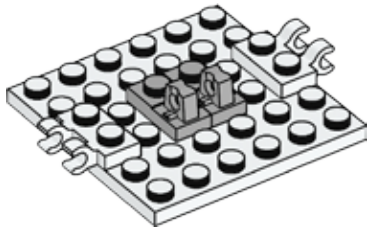




1



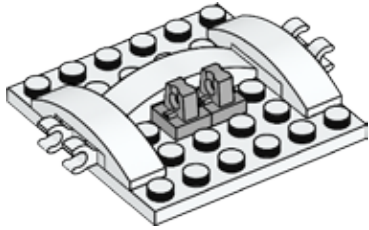
2

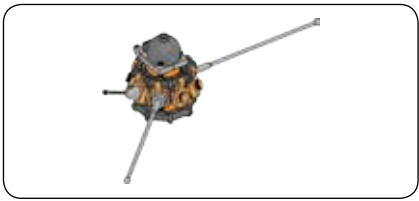




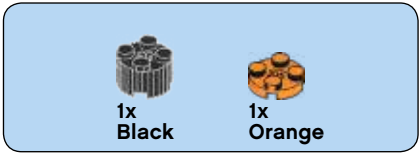
3x  
White

3

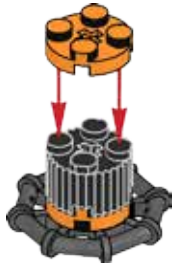




4

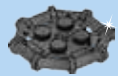


5





1x  
Orange



1x  
Titanium metallic

6



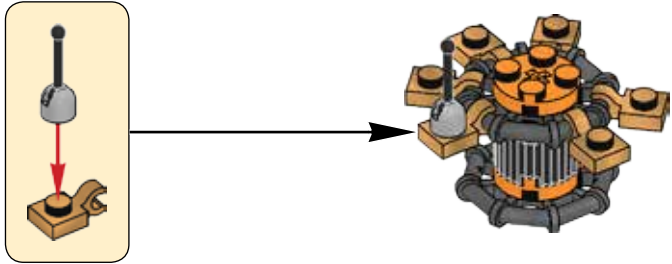
5x  
Gold

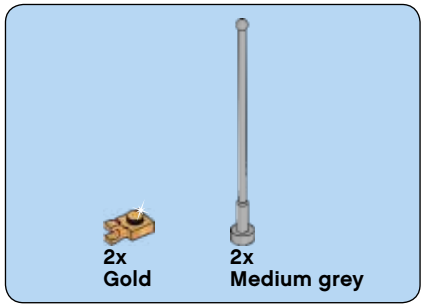
7



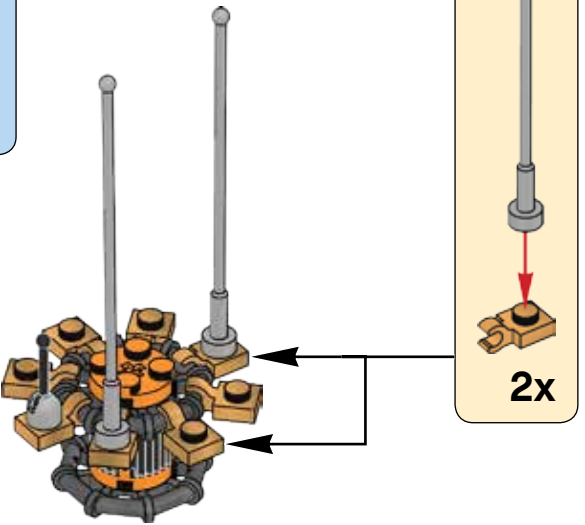
1x Black  
1x Gold

8





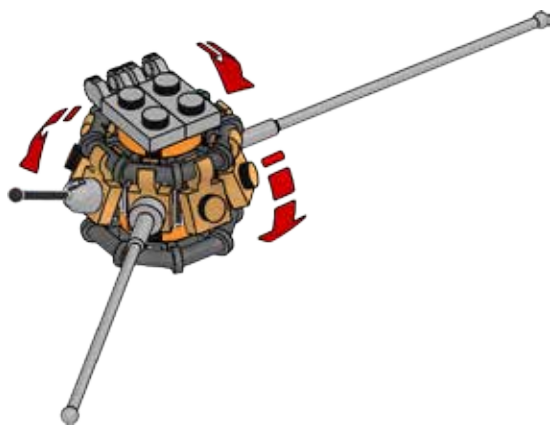
9





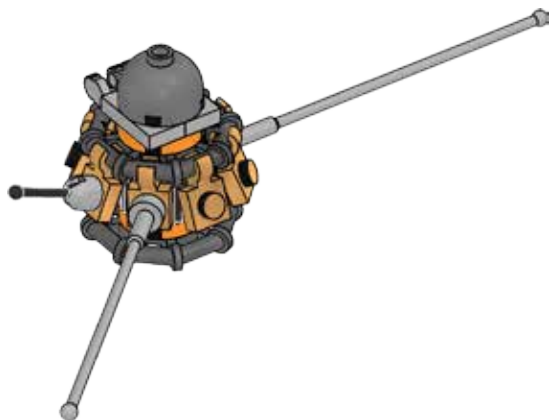
2x  
Medium grey

10

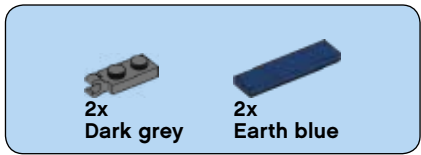
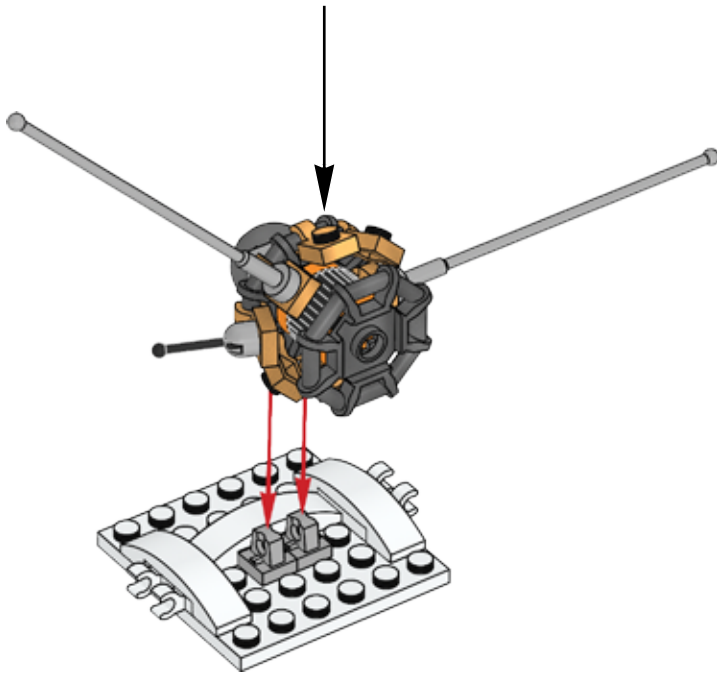


1x  
Dark grey

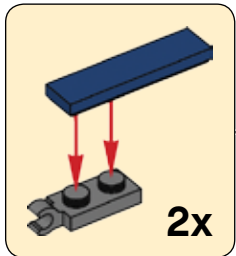
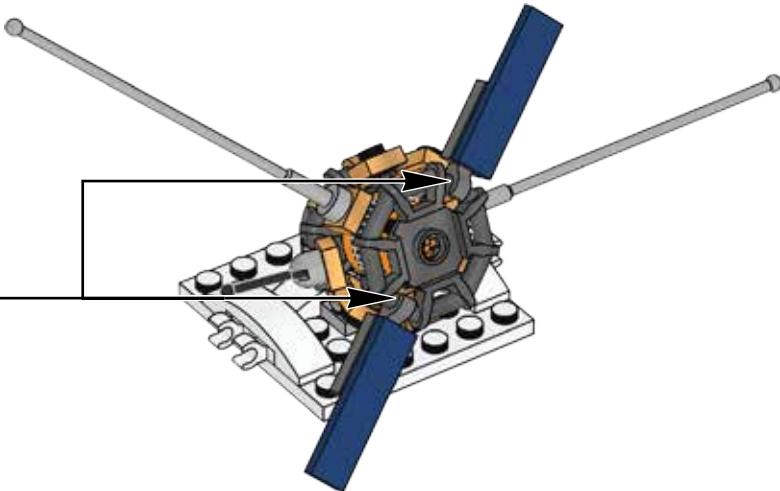
11



12

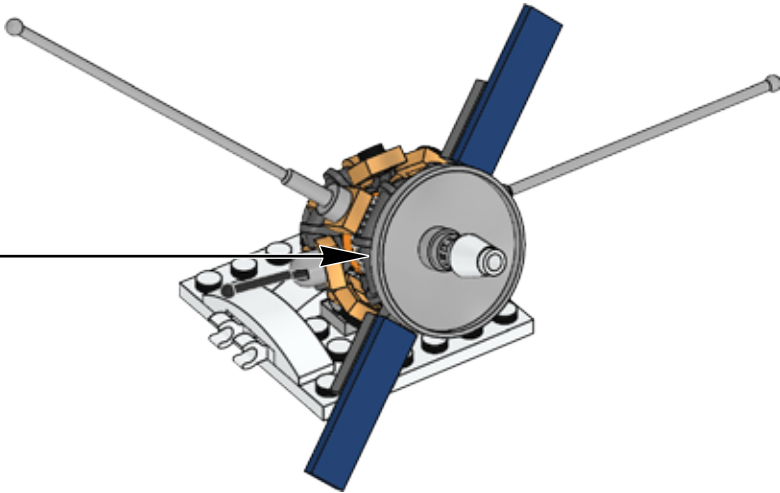
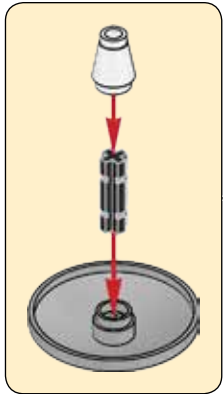


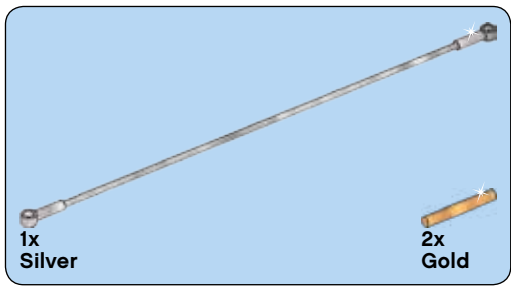
13



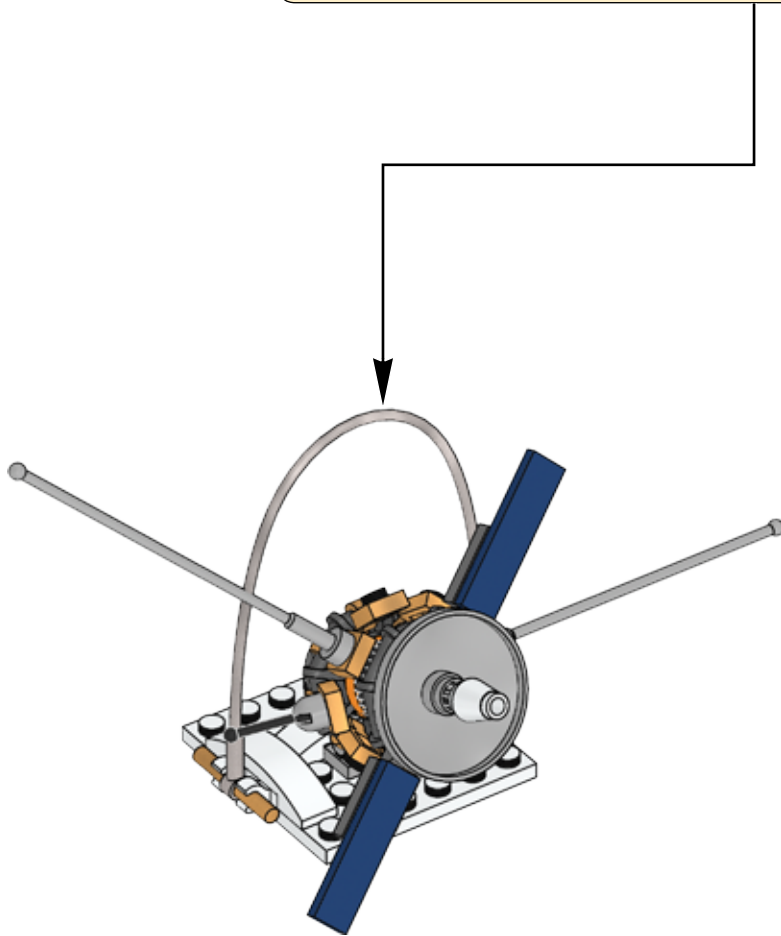
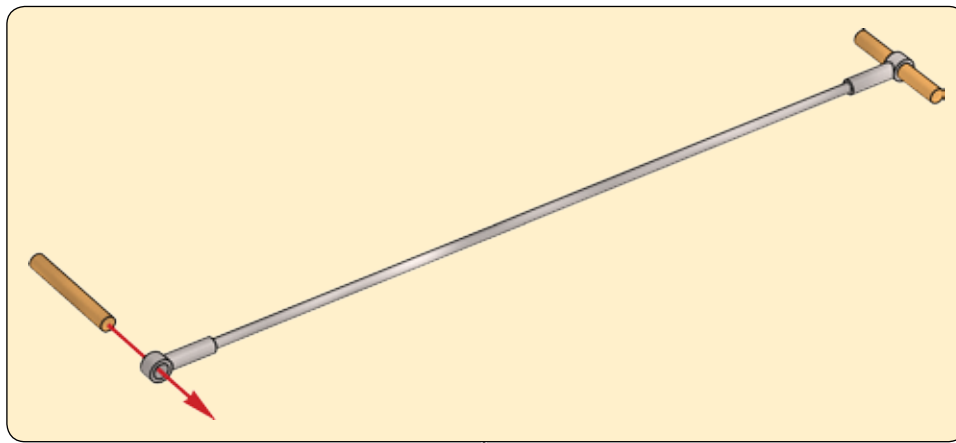


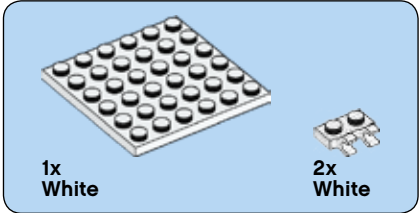
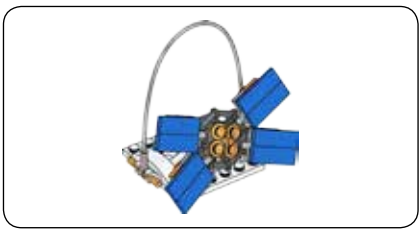
14



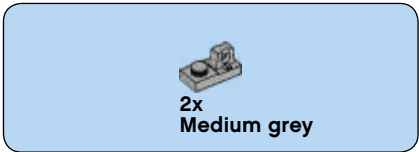
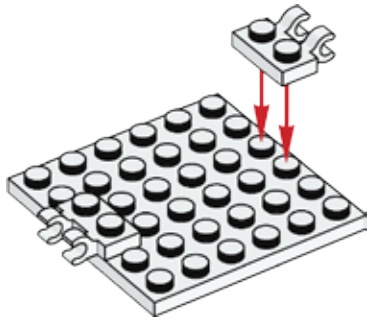


15

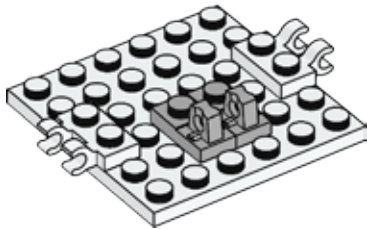




1



2







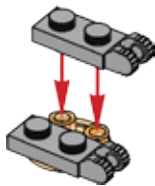
1x  
Transp. orange

4



2x  
Medium grey

5



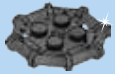
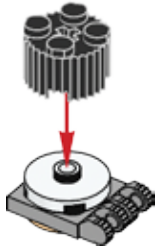


1x  
Black



1x  
White

6



1x  
Titanium metallic

7







4x  
Gold

8

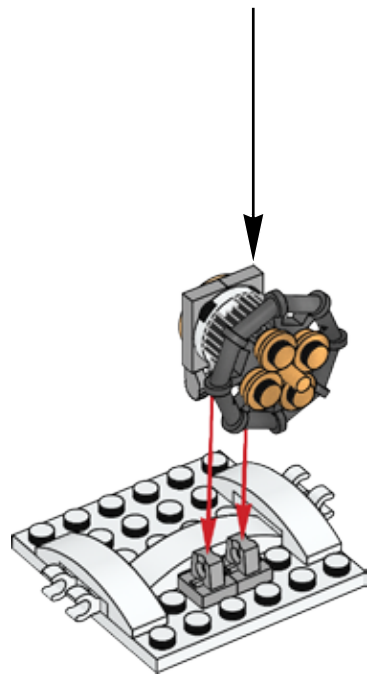






1x  
Gold

9


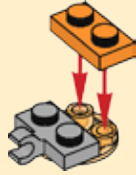



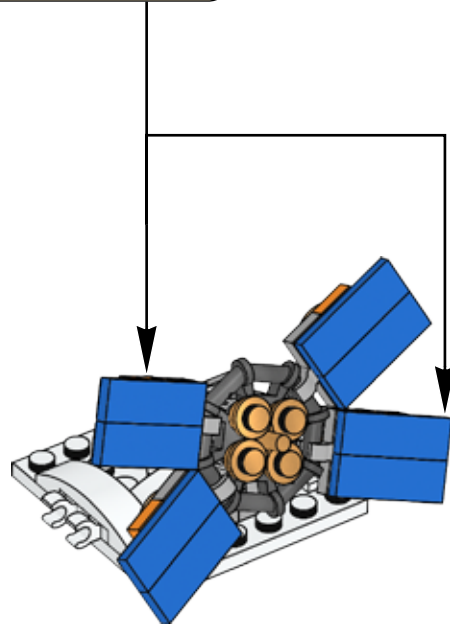
10

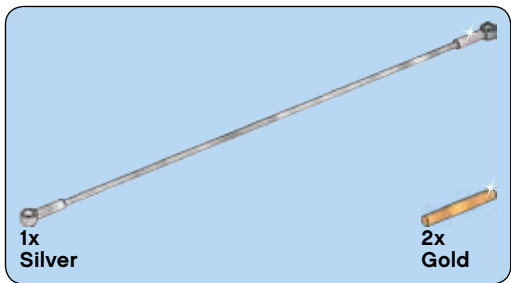


 4x Orange	 4x Transp. orange
 8x Blue	 4x Medium grey

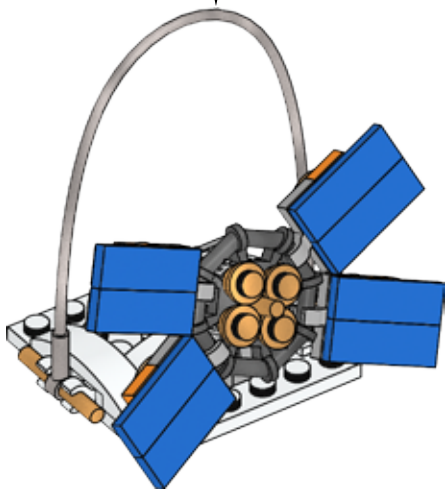
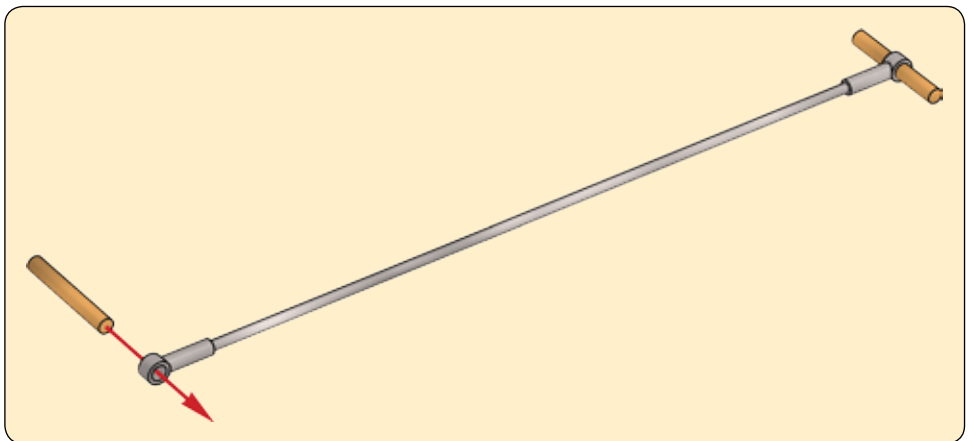
# 11

1	2	3
		
		4x





12



**BAG 10**

LEGO and the LEGO logo are trademarks of the/sont des marques de commerce du/son marcas registradas de LEGO Group. ©2018 The LEGO Group.

FIRST® is a registered trademark of For Inspiration and Recognition of Science and Technology (FIRST). LEGO® is a registered trademark of the LEGO Group. FIRST® LEGO® League and INTO ORBIT™ are jointly held trademarks of FIRST® and the LEGO Group.

©2018 FIRST® and the LEGO Group. All rights reserved.